

Fitting of Low Threshold

Step By Step Guide

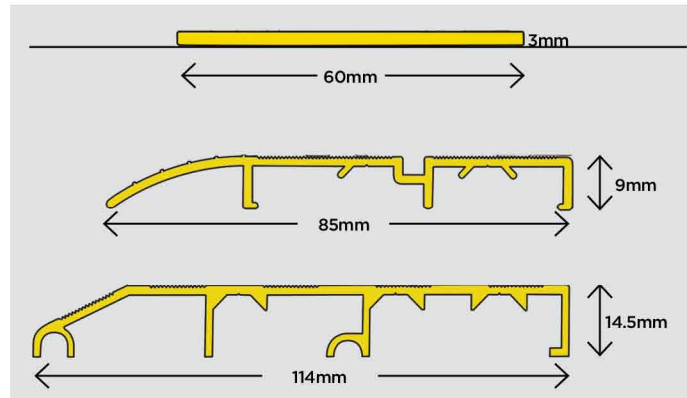
Included in EACH Low Threshold Kit

1 no. Tie Bar

Either

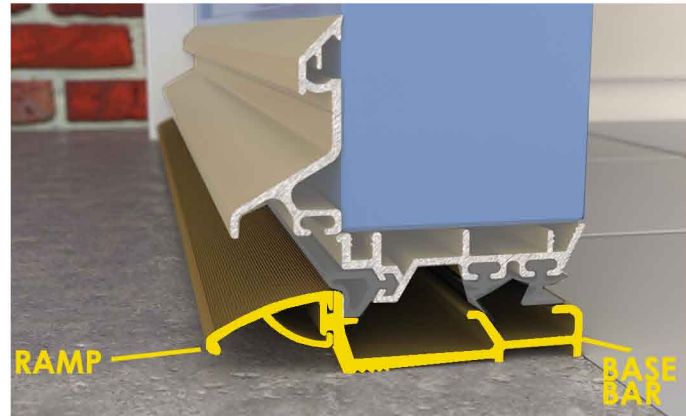
OR

OR

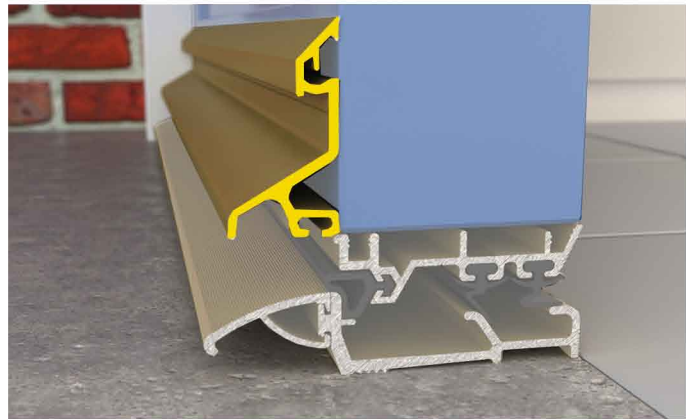


1 no. Threshold Base Bar & Ramp

These are supplied as one
The ramp can be slid off the base
bar for easy fabrication.

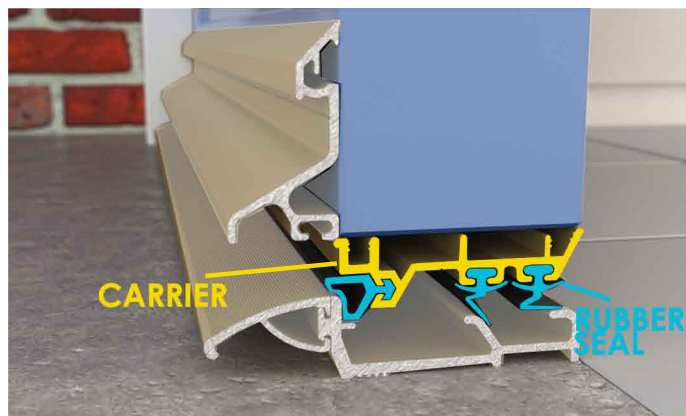


1 no. Deflector



1 no. Under Door Seal

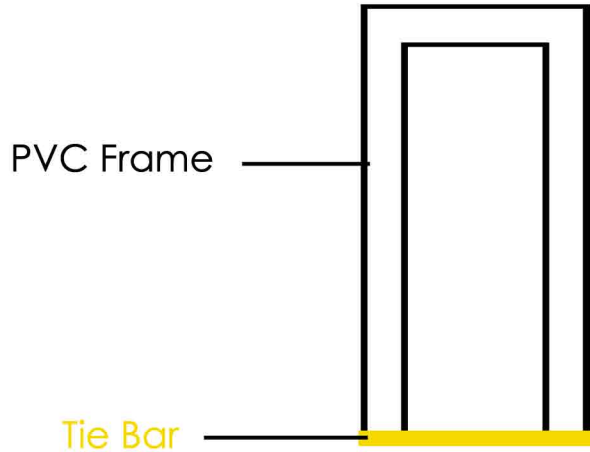
Carrier Complete with rubbers
which can be removed for easy
fabrication



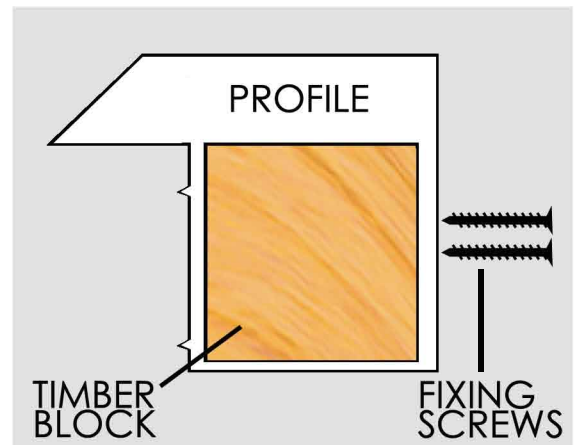
Step By Step Guide

Step 1 Fitting of Tie Bar

The Tie Bar is fitted to the underside of the frame “legs” to complete the square of the frame.

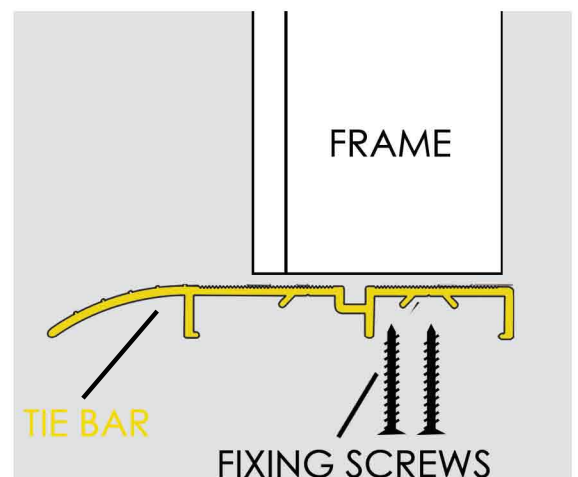


The first process is to insert a fixing material into the end of the profile which the tie bar can then be attached to, a piece of timber (not supplied) 100mm in length should be sufficient



The tie bar should then be cut to the required length running under the frame “legs” from outside to outside

The tie bar can then be screwed to the timber fixing block in the frame



Step 2 Fitting of Base Bar & Ramp

Remove the ramp from the base bar by sliding it off

Measure the internal rebate size of the frame and cut the base bar to suit

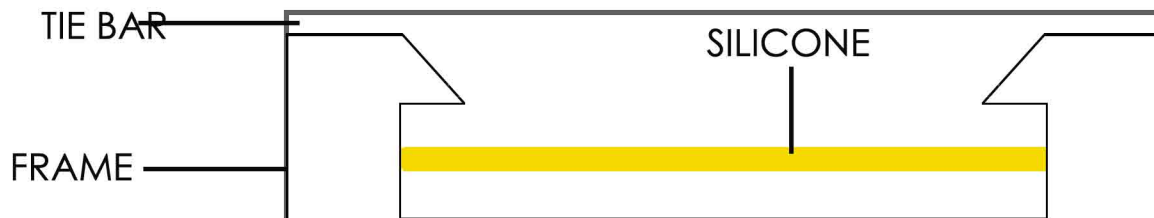


Measure the external rebate size of the frame and cut the ramp to suit



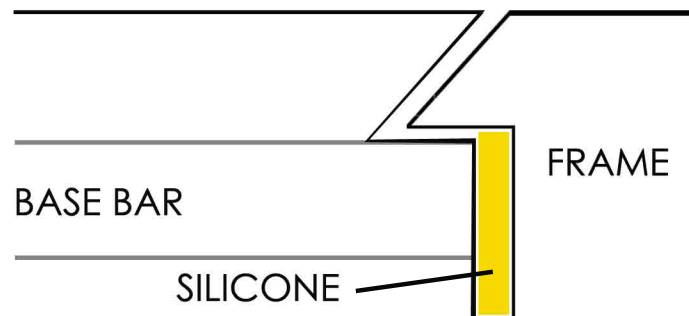
Re-attach the ramp to the base bar by sliding it on and positioning it centrally

Place silicone on top of the tie bar where the base bar is to be fitted to create a seal



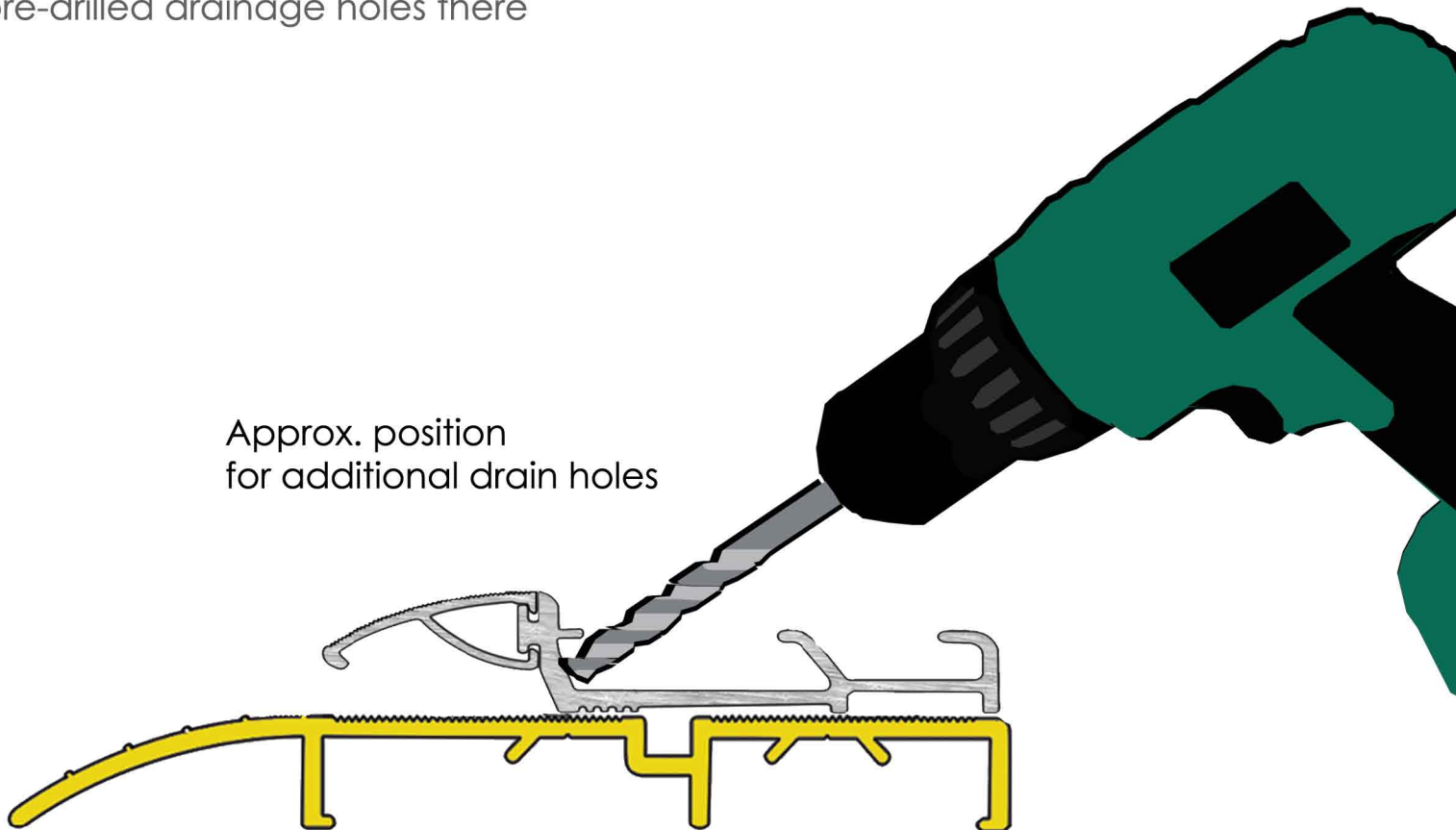
Set the base bar (and ramp) into place between the rebates of the frame and on top of the tie bar and fix into place with screws (eg. 3.9 x 15 - not supplied)

SEAL with silicone between the edge of the base bar and the internal rebate of the frame



Step 2 Fitting of Base Bar & Ramp Contd.

You may wish to drill some extra drainage holes in the front of the base bar, these should be approx. 6.5mm diameter. This can be done once the base bar is in place fixed to the tie bar. You will notice there are already a number of pre-drilled drainage holes there



Step 3 Fitting of Seal Carrier & Deflector

Remove or slide away rubber seals from the end which needs to be cut

Measure the carrier (same width as door leaf) and cut to size. Cut the seals to the required length, slide back into place and crimp the seal carrier grooves at one end to ensure rubbers do not slip out.

Fix the seal carrier to the under side of the door. It is recommended that the silicone is placed between the door and seal carrier.

Cut the deflector to the required length (the inside dimension of external rebates) allowing enough room for endcaps



Fix the deflector to the face of the door using the screws provided, it is recommended that the silicone is placed between the deflector and the door

Insert the endcaps provided into the deflector to finish the installation of the Low Threshold Kit